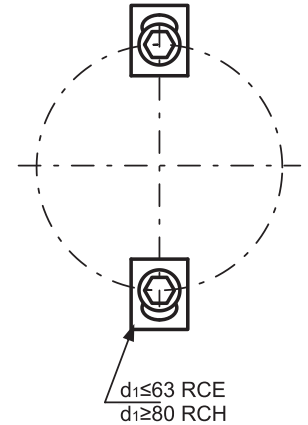
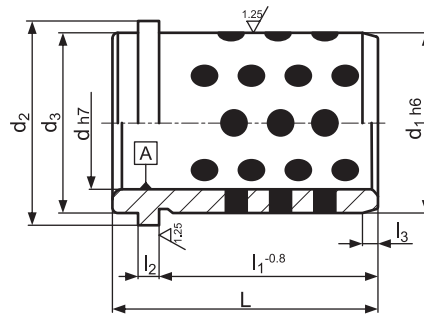
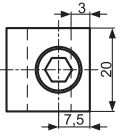
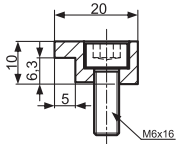


Tuleja samosmarna, DIN 9834 - BGD Self-lubricating guide bush, DIN 9834 - BGD

Material/Material: Brąz aluminiowy + grafit / Aluminium bronze + graphite
Norma/Standard: DIN 9834

Max. szybkość pracy/Max. speed: 50 m/min

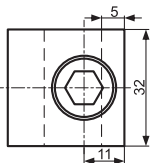
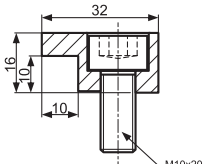
Zaczepek/Clamp RCE



Uwaga: Zaczepek zamawiać oddzielnie
Remark: Clamps must be ordered separately

Tuleje dostarczane z zaczepekami RCK
Rekomendowana dokładność gniazda - d₁ (H7)
Bushes provided with clamps RCK
Recommended precision of the socket - d₁ (H7)

Zaczepek/Clamp RCH



| d ₁ | d ₂ | d ₃ | l ₁ | l ₂ | l ₃ | L | d | Nr katalogowy Item no. | d | Nr katalogowy Item no. |
|----------------|----------------|----------------|----------------|----------------|----------------|-----|-----|---------------------------|----|---------------------------|
| 32 | 40 | 32 | 32 | 6,3 | 4 | 40 | 24 | BGD-024040 | 25 | BGD-025040 |
| 40 | 50 | 40 | 40 | 6,3 | 4 | 50 | 30 | BGD-030050 | 32 | BGD-032050 |
| 50 | 63 | 50 | 50 | 6,3 | 5 | 63 | 38 | BGD-038063 | 40 | BGD-040063 |
| 63 | 71 | 63 | 56 | 6,3 | 6,3 | 71 | 48 | BGD-048071 | 50 | BGD-050071 |
| 80 | 90 | 80 | 63 | 10 | 8 | 80 | 60 | BGD-060080 | 63 | BGD-063080 |
| 100 | 112 | 100 | 80 | 10 | 10 | 100 | 80 | BGD-080100 | - | - |
| 125 | 140 | 125 | 106 | 10 | 12,5 | 125 | 100 | BGD-100125 | - | - |
| 160 | 180 | 160 | 132 | 10 | 16 | 160 | 125 | BGD-125160 | - | - |
| 200 | 220 | 200 | 170 | 10 | 16 | 200 | 160 | BGD-160200 | - | - |