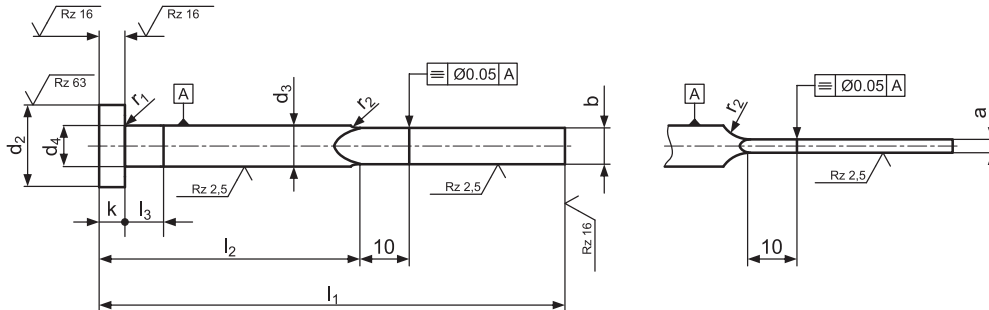


## Wypychacz płaski z łbem cylindrycznym - 6321...

Blade ejector pin with cylindrical head - 6321...

wg DIN ISO 8693 (DIN 1530, typ FAH, hartowany)

to DIN ISO 8693 (DIN 1530, type FAH, hardened)



**Opis/Description:** Wypychacz płaski z łbem cylindrycznym kutym na gorąco, trzpień hartowany, odpuszczany i szlifowany. Szczególnie polecany przy odlewaniu ciśnieniowym.

Head hot forged hardened shaft, tempred and fine ground finished.  
Particularly suitable for pressure die cast tools

**Materiał/Material:** WS = 1.2067  
Odporność temperaturowa 200 °C  
Temper resistance at least 200 °C

**Twardość/Hardness:** Trzpień/Shaft: 60±2 HRC  
Łeb/Head: 45±5 HRC

a <sup>0</sup> <sub>-0,015</sub>	b <sup>0</sup> <sub>-0,015</sub>	d <sub>3</sub> h11	d <sub>2</sub> <sup>0</sup> <sub>-0,2</sub>	k <sup>0</sup> <sub>-0,05</sub>	r <sub>1</sub> <sup>+0,2</sup> <sub>0</sub>	r <sub>2</sub> min	l <sub>1</sub> <sup>+2</sup> <sub>0</sub>															
							63	80	100	125	160	200	250	315	400							
							l <sub>2</sub> <sup>-1</sup> <sub>-2</sub>															
							32	40	50	63	80	100	125	160	200							
0,8	2,8	3	8	3	0,3	10			●	●	●	●										
1,0								●	●	●	●											
0,8	3,5	4,0							●	●	●	●	●									
1,0							●	●	●	●	●											
1,2							●	●	●	●	●											
1,0							●	●	●	●	●	●										
0,8	3,8	4,2			●		●	●	●	●	●		●									
1,0			●	●	●		●	●	●	●	●											
1,2								●	●	●	●	●	●									
1,0	4,5	5	10					●	●	●	●	●	●	●								
1,2				●	●		●	●	●	●	●	●										
1,5				●	●		●	●	●	●	●	●	●									
1,0	5,5	6	12					●	●	●	●	●	●	●	●	●						
1,2				●	●		●	●	●	●	●	●	●	●	●							
1,5				●	●		●	●	●	●	●	●	●	●	●	●						
2,0				●	●		●	●	●	●	●	●	●	●	●	●						
1,2	7,5	8	14					●	●	●	●	●	●	●	●	●	●					
1,5				●	●		●	●	●	●	●	●	●	●	●	●	●	●				
2,0				●	●	●	●	●	●	●	●	●	●	●	●	●	●	●				
1,5	9,5	10	16						●	●	●	●	●	●	●	●						
2,0				●	●	●	●	●	●	●	●	●	●	●	●	●	●	●				
2,0	11,5	12	18								●	●	●	●	●	●	●					
2,5				●	●	●	●	●	●	●	●	●	●	●	●	●	●	●				
2,0				●	●	●	●	●	●	●	●	●	●	●	●	●	●	●	●			
2,5	15,5	16	22										●	●	●	●	●					
2,5				●	●	●	●	●	●	●	●	●	●	●	●	●	●	●	●			

● - Dostępne z magazynu lub w krótkim terminie. Pozostałe wymiary na zamówienie  
Available from stock or in short time. Other dimensions on request

**Sposób zamawiania:** Wypychacz - 6321.  
a = 1,2 mm - 12.  
b = 7,5 mm - 075.  
l<sub>1</sub> = 200 mm - 200  
**Nr katalogowy - 6321.12.075.200**

**How to order:** Ejector - 6321.  
a = 1,2 mm - 12.  
b = 7,5 mm - 075.  
l<sub>1</sub> = 200 mm - 200  
**Item no. - 6321.12.075.200**